

INTRINSICALLY SAFE POWER SUPPLY (Exi)



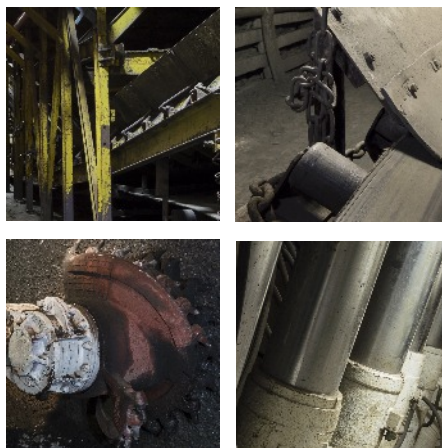
TX6620 Series I.S. Power Supply Unit
 I M2 EEx d[ia] BaseRef: 03ATEX0227X
 Uin=230Vac Uo=14.4Vdc Io=2.37A
 Conforms to BS5192 Pt 1
 DO NOT OPEN WHEN ENERGISED
 WAIT FIVE MINUTES BEFORE OPENING ENCLOSURE
 Output: 12Vdc @ 3A
 Order Ref: TX6620.106
 Serial No: 1414
 Year: 2008
 TROLEX LIMITED
 10000 Road, Huddersfield, West Yorkshire, Huddersfield, HD1 3DY, UK
 Tel: +44(0)1484 483 1400 E-Mail: sales@trolex.com



**ATEX
M 2 / M 1
GROUP I
INTRINSICALLY
SAFE**

to convert an ac supply voltage into a stabilised and regulated IS source for supplying power to approved sensors and electronic control devices

**FOR USE IN
MINING AND
TUNNELLING**



features...

- 7.5V dc or 12V dc IS output voltage.
- Resistively limited output circuit.
- Output current 0.5A or 1.5A.
- Available as a chassis or mounted in an Exd enclosure.
 - Optional isolation relays.
 - Choice of input voltages: 110V ac or 230V ac.

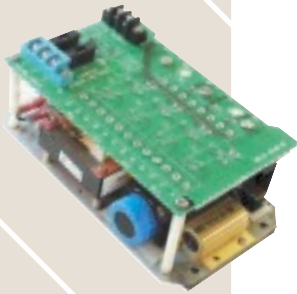
OPERATING DATA

technical details...

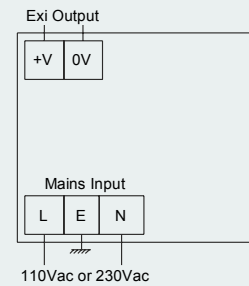
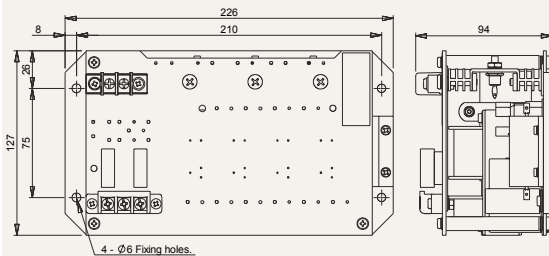
Input Voltage:	110V ac or 230V ac. 50/60Hz
Output Voltage:	7.5V dc or 12V dc $\pm 0.2V$
Output Current:	0.5A or 1.5A
Operating Temp. Limits:	-5°C...+70°C
Humidity:	0...95% RH, non-condensing.

dimensions...

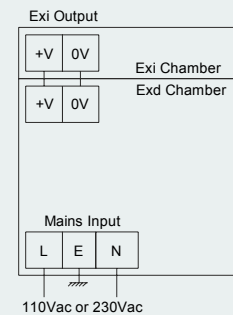
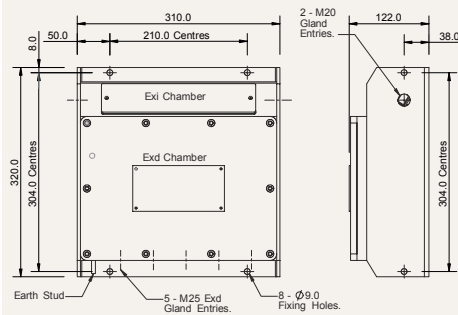
connections...



TX6635 INTRINSICALLY SAFE POWER SUPPLY CHASSIS
TX6636



TX6625 INTRINSICALLY SAFE POWER SUPPLY in Exd HOUSING
TX6626



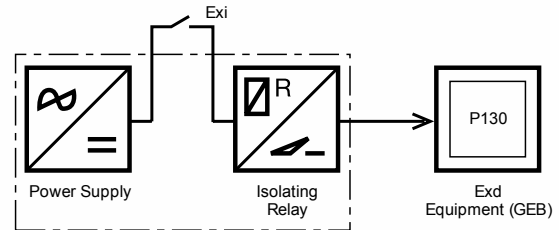
OPERATING DATA

power supplies with isolating relays...

Isolating relays may be combined with the Power Supply. The operating coils of the relays are Intrinsically Safe and the contacts are clearance compatible for switching non-intrinsically safe apparatus or devices in separate Exd enclosures (eg. P130 pilot circuits).

A standard power supply chassis is fitted and wired with four independent relays with field connection facilities for coils and contacts.

The coils can be rated for either 7.5V dc or 12V dc operation.

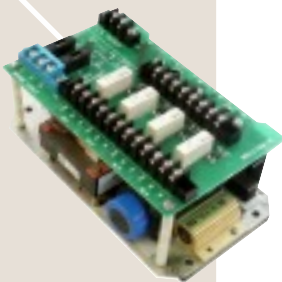


technical details...

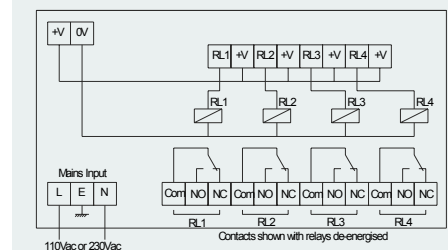
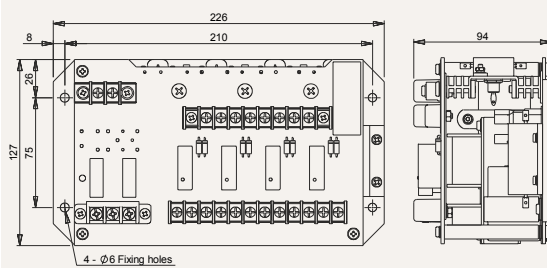
	Nominal O/P Voltage	Max O/P Current	Relay Contact Rating	Coil Resistance
TX6625.19	7.5V dc	1.5A	10A 230V ac	324 Ohm
TX6626.19	12V dc	0.5A	10A 230V ac	580 Ohm
TX6635.19	7.5V dc	1.5A	10A 230V ac	324 Ohm
TX6636.19	12V dc	0.5A	10A 230V ac	580 Ohm

dimensions...

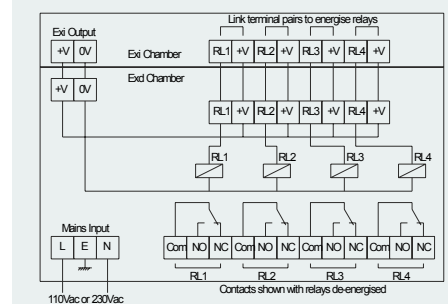
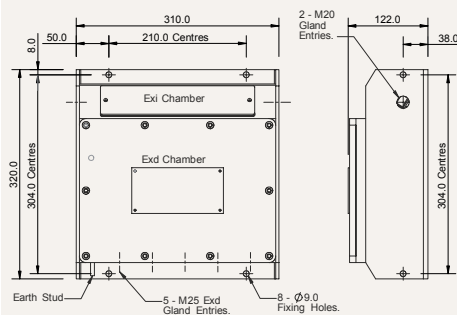
connections...



TX6635.19 INTRINSICALLY SAFE POWER SUPPLY CHASSIS, with 4 ISOLATING RELAYS
TX6636.19



TX6625.19 INTRINSICALLY SAFE POWER SUPPLY in Exd HOUSING, with 4 ISOLATING RELAYS
TX6626.19



OPERATING DATA

order reference...



INTRINSICALLY SAFE POWER SUPPLY in Exd HOUSING

	Nominal O/P Voltage	Max O/P Current
TX6625	7.5V dc	1.5A
TX6626	12V dc	0.5A

Please specify:

- 110V ac input (105)
- 230V ac input (106)



INTRINSICALLY SAFE POWER SUPPLY CHASSIS

(Supplied loose, ready for fitting and wiring)

	Nominal O/P Voltage	Max O/P Current
TX6635	7.5V dc	1.5A
TX6636	12V dc	0.5A

Please specify:

- 110V ac input (105)
- 230V ac input (106)



A T E X
M 2 / M 1
GROUP I
INTRINSICALLY
SAFE



INTRINSICALLY SAFE POWER SUPPLY in Exd HOUSING with RELAYS

	Nominal O/P Voltage	Max O/P Current	Relay Contact Rating
TX6625.19	7.5V dc	1.5A	10A 230V ac
TX6626.19	12V dc	0.5A	10A 230V ac

Please specify:

- 110V ac input (105)
- 230V ac input (106)



INTRINSICALLY SAFE POWER SUPPLY CHASSIS with RELAYS

(Supplied loose, ready for fitting and wiring)

	Nominal O/P Voltage	Max O/P Current	Relay Contact Rating
TX6635.19	7.5V dc	1.5A	10A 230V ac
TX6636.19	12V dc	0.5A	10A 230V ac

Please specify:

- 110V ac input (105)
- 230V ac input (106)

certification...



Group I Intrinsically Safe

TX6620 I M2 EEx d[ia] I

TX6630 I (M1) [EEx ia] I

A T E X

Designed and approved to meet the ATEX directive (94/9/EC).

TROLEX LIMITED

NEWBY ROAD, HAZEL GROVE, STOCKPORT,
 CHESHIRE SK7 5DY, UK

+44 (0)161 483 1435

sales@trolex.com

www.trolex.com