

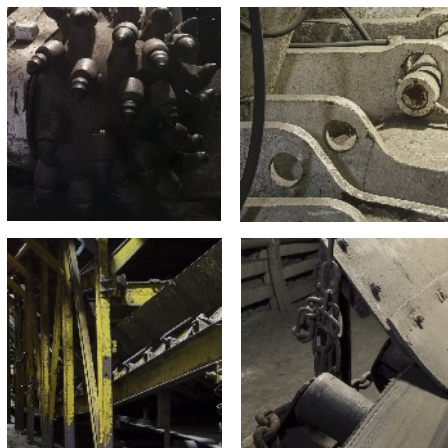
# INTRINSICALLY SAFE POWER SUPPLIES (Ex i)



TX6620 Series I.S. Power Supply Unit  
 I M2 EEK d(Ia)I Baseefa 03ATEX022TX  
 Uin=230Vac Uo=14.4Vdc Io=2.37A  
 Conforme to BS1850 Pt.1  
 DO NOT OPEN WHEN ENERGISED  
 WAIT FIVE MINUTES BEFORE OPENING ENCLOSURE  
 Output: 12Vdc, 0.9A  
 Order Ref: TX6620 166  
 Serial No. 1414  
 Year 2009  
 TROLEX Limited  
 2000  
 Tel: +44(0)1825 8931431 Email: sales@trolex.com

Power supplies to convert an ac supply voltage into a stabilised and regulated intrinsically safe source for supplying power to approved sensors and electronic control devices

MINING  
 •  
 TUNNELLING  
 •  
 STORAGE AREAS  
 &  
 WAREHOUSING  
 •  
 WATER  
 MANAGEMENT  
 &  
 SEWAGE  
 TREATMENT



## features...

- 12V dc I.S. output voltage
- Regulated output is current limited and has continuous short circuit protection

- Output current 900 mA

## choice

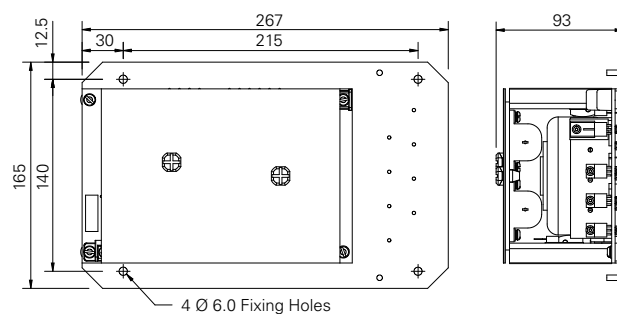
- Available as a chassis or mounted in an Ex d enclosure
- Optional isolation relays
- Input voltages: 110 V ac or 230 V ac

## technical details...

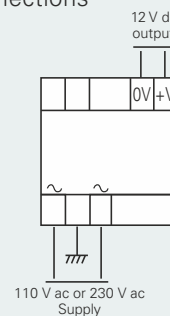
Input Voltage:	110 V ac or 230 V ac - 50/60 Hz
Output Voltage:	12 V dc $\pm 0.2$ V
Output Current:	900 mA
Output Ripple/Noise:	150 mV max
Line Regulation:	<5% over the input voltage range
Load Regulation:	Better than 5% over 10% of load current (-10% at full load)
Voltage Limiting:	Over voltage detection with fuse rupturing 'crowbar' protection and short circuit protection
Current Limiting:	Automatic current limiting to the intrinsically safe output also limits the current to less than the rupturing capacity of the output protection fuse
Max. Operating Temperature:	-20°C to +55°C
Storage Temperature:	-20°C to +70°C
Humidity:	0 to 95% RH, non-condensing

## dimensions...

### TX6641 INTRINSICALLY SAFE POWER SUPPLY CHASSIS

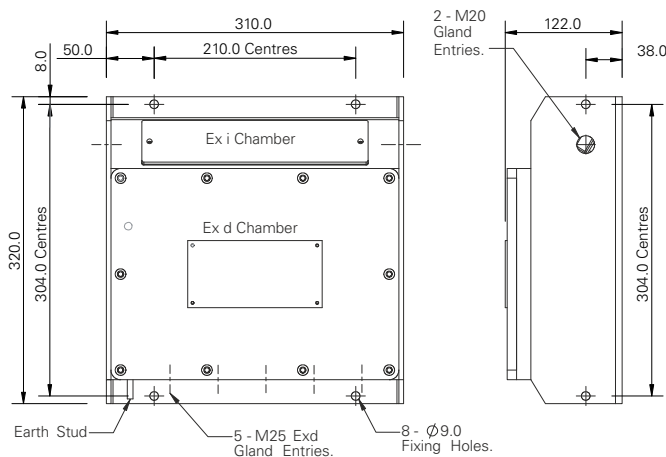


#### Connections

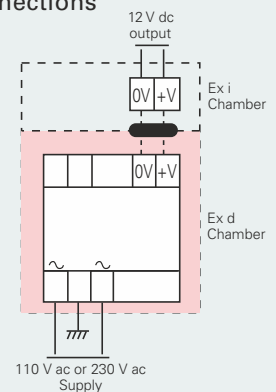


ALL DIMENSIONS IN MM

### TX6642 INTRINSICALLY SAFE POWER SUPPLY in Exd HOUSING



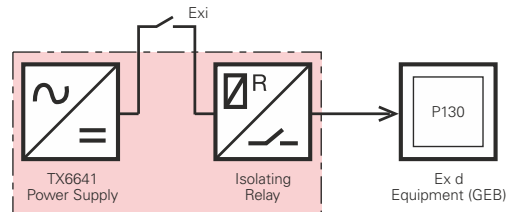
#### Connections



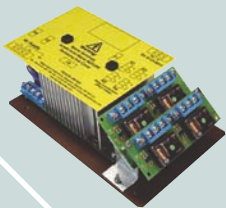
ALL DIMENSIONS IN MM

## isolating relays...

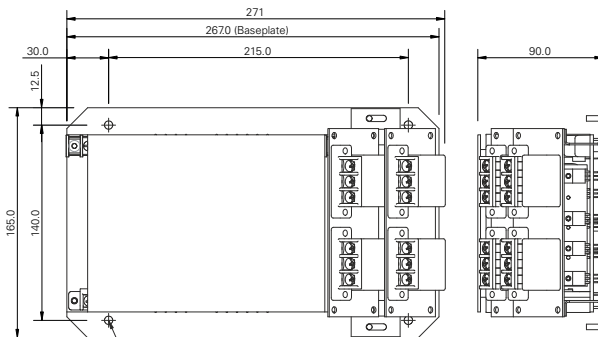
A standard power supply chassis is fitted and wired with four independent relays with field connection facilities for coils and contacts.



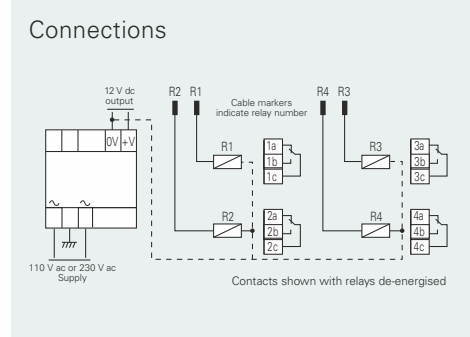
	TX6641.19
Number of relays:	4
Relay Contact Type:	One Changeover
Relay Contact Rating:	5 A, 230 V ac
Relay Coil Resistance:	460 Ohms
Relay Coil Voltage:	12 V dc
Relay Current Consumption (each):	26 mA



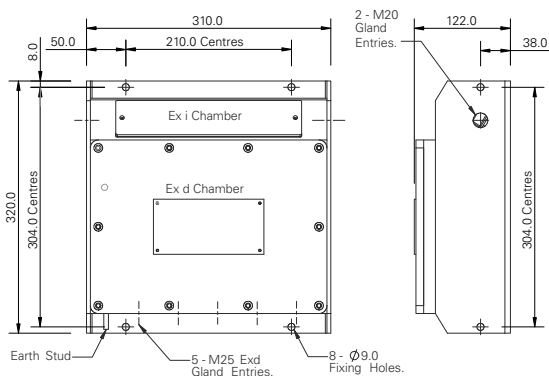
### TX6641.19 INTRINSICALLY SAFE POWER SUPPLY CHASSIS , with 4 ISOLATING RELAYS



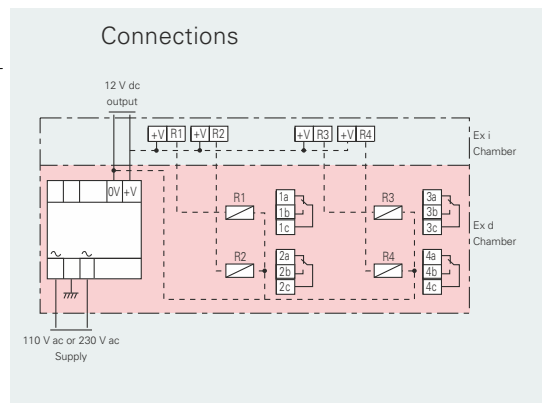
ALL DIMENSIONS IN MM



### TX6642.19 INTRINSICALLY SAFE POWER SUPPLY in Ex d HOUSING, with 4 ISOLATING RELAYS



ALL DIMENSIONS IN MM



**order reference...**



**TX6641**    **INTRINSICALLY SAFE POWER SUPPLY CHASSIS**  
 SUPPLIED LOOSE, READY for FITTING and WIRING



**TX6642**    **INTRINSICALLY SAFE POWER SUPPLY**  
 in Ex d HOUSING



**TX6641.19**    **INTRINSICALLY SAFE POWER SUPPLY CHASSIS**  
 with 4 ISOLATING RELAYS



**TX6642.19**    **INTRINSICALLY SAFE POWER SUPPLY**  
 in Ex d HOUSING with 4 ISOLATING RELAYS

**Please specify INPUT VOLTAGE OPTIONS:**

- 110 V ac    (105)
- 230 V ac    (106)

## certification & approval...

### TX6641

**Europe (ATEX)**

Ex Certificate number:

**SIRA 01ATEX2229X**

Ex Certification code:

**I (M1) [Ex ia Ma] I (Ta = -20°C to +55°C)**

ATEX Directive

**(94/9/EC)**

EMC Directive

**(2004/108/EC)****International (IECEx)**

Ex Certificate number:

**IECEx SIR 10.0107X**

Ex Certification code:

**[Ex ia Ma] I (Ta = -20°C to +55°C)****Russia (GOST-R)**

Ex certificate number:

**POCC GB.ME92.B02881****South Africa**

Ex Certificate number:

**MASC M/11-313X**

Ex Certification code:

**[Ex ia Ma] I (Ta = -20°C to +55°C)****Australia**

Ex Certificate number:

**ANZEx 14.3006X**

Ex Certification code:

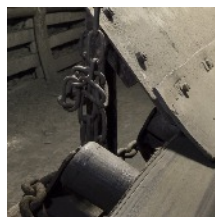
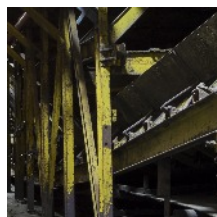
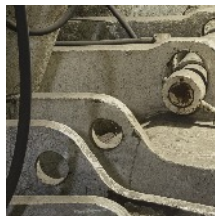
**[Ex ia] I (Ta = -20°C to +55°C)**

## certification & approval - continued...

### TX6642

**Europe (ATEX)**Ex Certificate number:  
Ex Certification code:**SIRA 01ATEX1230****I M2 (M1) EEx d [ia] I (Ta = -20°C to +55°C)****Russia (GOST-R)**

Ex certificate number:

**POCC GB.ME92.B02881****Australia**Ex Certificate number:  
Ex Certification code:**ANZEx 14.3001X****Ex d [ia] I Mb (Ta = -20°C to +55°C)****TROLEX LIMITED**NEWBY ROAD, HAZEL GROVE, STOCKPORT,  
CHESHIRE SK7 5DY, UK**+44 (0)161 483 1435****sales@trolex.com****www.trolex.com**