

Uninterruptible Power Supply (UPS) with Intrinsically Safe Output and 3.5 Ah Battery Backup

Environments: Mining • Tunnelling

Features

- Robust stainless steel housing
- Regulated output is current limited and has continuous short circuit protection
- 3.5 Ah back-up battery with automatic uninterrupted power transfer
- 12 V, 750 mA Ex ia Ma certified output
- Analogue output signal to show battery charge status
- Volt-free contact to show mains input status

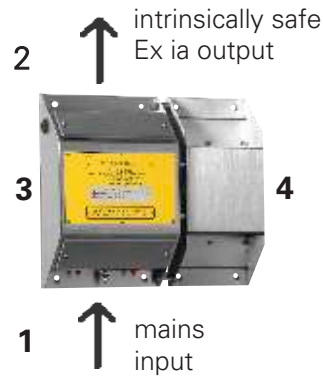


Benefits

- Can remain on standby battery power in Ex ia Ma area conditions
- Available power can be remotely monitored via the battery charge analogue output signal
- ac mains failure can be remotely monitored via a volt-free output
- Spacious termination facilities to connect heavy-duty mining cables
- Sealed unit requires no user maintenance or examination
- Ex eq certification eliminates any maintenance costs of Ex d style enclosures

Functional Overview

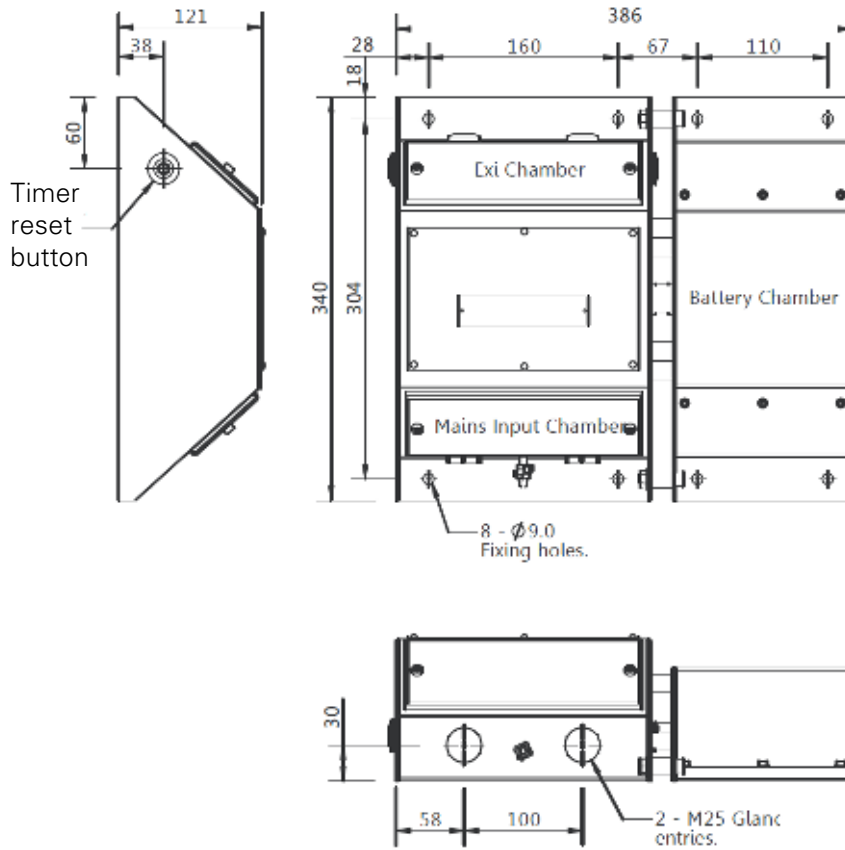
The power supply converts an ac supply voltage into a stabilised and regulated intrinsically safe source, ideal for supplying power to approved sensors and electronic control devices in hazardous areas.



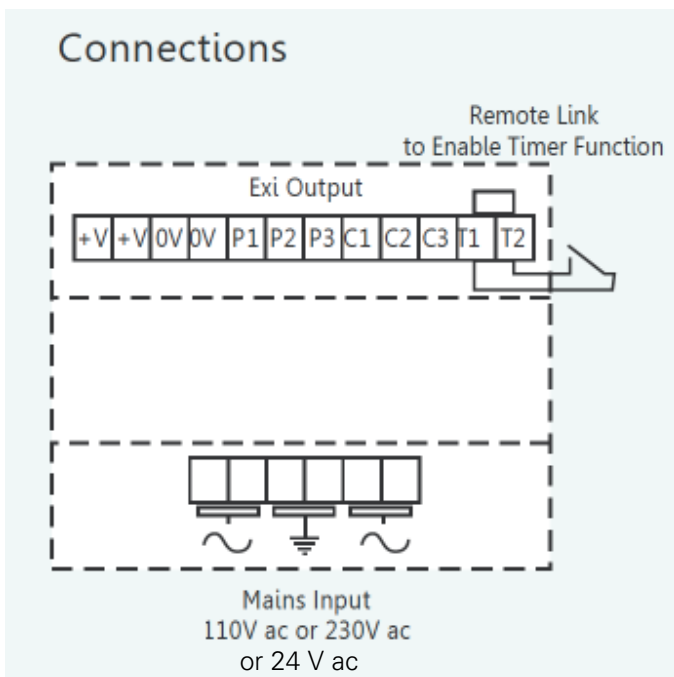
Technical Information

① Input Voltage:	110 V ac \pm 10% or 230 V ac \pm 10% - 50/60 Hz or 24 V ac \pm 10%
② Output Voltage:	12 V dc -0 V/+0.6 V
Output Current:	750 mA
Output Ripple/Noise:	150 mV max
Line Regulation:	<5% over the input voltage range
Load Regulation:	<5% over 0 to 90% of load current <10% between 90% and 100% of load current
Voltage Limiting:	Over voltage detection with crowbar protection and short circuit protection
Current Limiting:	Automatic current limiting of the intrinsically safe output also limits the current to less than the rupturing capacity of the output protection fuse.
③ Max. Operating Temperature:	-20°C to +40°C
Storage Temperature:	-20°C to +70°C
Humidity:	0 to 95% RH, non-condensing
Vibration Limits/Low Frequency:	0.25 mm peak, sinusoidal vibration in the range 10 Hz to 100 Hz in 3 perpendicular planes
Medium Frequency:	2g peak, sinusoidal vibration in the range 10 Hz to 600 Hz in 3 perpendicular planes
Mechanical Shock:	1000 shocks of 40g minimum in 3 perpendicular planes
Housing Material:	Stainless steel
Weight:	16 kg
④ Back-up Battery:	Sealed lead-acid - 3.5 Ah Automatic charge control to full capacity Automatic uninterrupted output power transfer following input power failure
Power Fail Indication:	Relay contacts change state on power failure. Contact rating: 0.25 A at 30 V dc max.
Charge Condition:	Analogue output signal proportional to the charge level of the battery Choice of 0.4 V to 2.0 V or 4 to 20 mA signals
Battery life:	6 years with normal usage
Ex Certification:	ATEX/IECEX/EAC Group I - for full certification details refer to user manual

Dimensions



Connections



+V = 12 V dc intrinsically safe output
0V = 0 V intrinsically safe output

P1 = C
P2 = N/C
P3 = N/O } Power Fail Relay

C1 = 0.4 to 2 V
C2 = 0 V
C3 = 4 to 20 mA } Charge Condition Monitor Output

T1
T2 } Timer Control Terminals

Battery Conserve Timer

The TX6648 Power supply is fitted with a Battery Conserve Timer.

The timer is used to conserve battery power when used on mobile machinery where battery support will only be required for short intervals between long periods.

- The battery will be charged in the normal way when the main power is ON
- The battery back-up output will be terminated 30 minutes after the main power is OFF
- The battery back-up output may be re-instated at any time for a period of 30 minutes by operation of a pushbutton on the side of the power supply housing or a remote pushbutton connected to T1 and T2
- The timer is disabled by fitting a link between T1 and T2

Order Reference

ATEX & IECEx Certification

110 V ac supply: **TX6648.35.105.101.1206.19**

230 V ac supply: **TX6648.35.106.101.1206.19**

24 V ac supply: **TX6648.35.103.101.1206.19**



EAC Certification

110 V ac supply: **TX6648.35.105.101.1206.14**

230 V ac supply: **TX6648.35.106.101.1206.14**

24 V ac supply: **TX6648.35.103.101.1206.14**

Trolex Limited

Newby Road, Hazel Grove, Stockport, Cheshire SK7 5DY, United Kingdom
+44 (0)161 483 1435 sales@trolex.com www.trolex.com



At Trolex, we save lives.

We believe that no person should risk their life to earn a living.

Our aim is to become the world's leading name in health and safety technology, through pioneering products that provide real-world benefits to our customers, whenever workers operate in hazardous environments.

For more information about Trolex, please contact us at:

Enquiries

sales@trolex.com

Telephone

+44 (0) 161 483 1435

Fax

+44 (0) 161 483 5556

Trolex Ltd

Newby Road, Hazel Grove
Stockport, Cheshire
SK7 5DY, United Kingdom

Website

www.trolex.com



[/company/trolexUK](https://www.linkedin.com/company/trolexUK)



[trolexUK](https://twitter.com/trolexUK)



[/trolexUK](https://www.instagram.com/trolexUK)



[/user/TrolexUK](https://www.reddit.com/user/TrolexUK)